



- ✓ **Compact**
- ✓ **Easy to Use**
- ✓ **2 Blades in 1**
- ✓ **Light Weight**
- ✓ **Illumination Tester**
- ✓ **Batteries Easily Removed**
- ✓ **Long-Life Illumination**
(Over 24 hours continuous illumination)
- ✓ **No Assembly - Quick Action**

Available in both Adult/Child or Adult/Adult dual blade configurations, the DUOSCOPE™'s simplistic functional design facilitates immediate accessibility and instantaneous response in emergency situations. Produced in high quality plastic and equipped with dual illumination lamps (allowing over 24 hours continuous illumination), the disposable DUOSCOPE™ is a cost effective premium intubation for the emergency cart or kit.

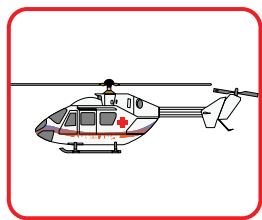
Part No.

RB2000 Miller Size #1
+ MacIntosh Size #3 (Child)

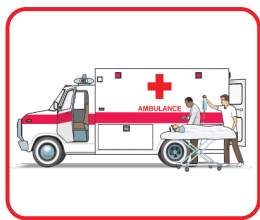
RB3000 Miller Size #1 +
MacIntosh Size #4 (Adult)

RB4000 MacIntosh Size #3 +
MacIntosh Size #4 (Large Adult)

Multiple Applications:



Trauma Rescue



Ambulance



Medical Air Service



Emergency Carts



Military

RB2000			RB3000			RB4000		
Blades: MacIntosh Size #3 + Miller Size #1			Blades: MacIntosh Size #4 + Miller Size #1			Blades: MacIntosh Size #4 + MacIntosh Size #3		





- ✓ **Compact**
- ✓ **Easy to Use**
- ✓ **2 Blades in 1**
- ✓ **Light Weight**
- ✓ **Illumination Tester**
- ✓ **Batteries Easily Removed**
- ✓ **Long-Life Illumination**
(Over 24 hours continuous illumination)
- ✓ **No Assembly - Quick Action**

Available in three popular blade configurations, the ONESCOPE™'s simplistic functional design facilitates immediate accessibility and instantaneous response in emergency situations. Produced in high quality plastic and equipped with a long-life illumination lamp (allowing over 24 hours continuous illumination), the disposable ONESCOPE™ is a cost effective premium intubation device for the emergency cart or kit.

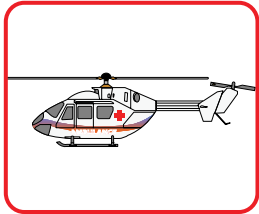
Part No.

GB2000 Miller Size #1 (Child)

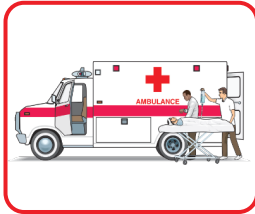
GB3000 MacIntosh Size #3 (Adult)

GB4000 MacIntosh #4 (Large Adult)

Multiple Applications:



Trauma Rescue



Ambulance



Medical Air Service



Emergency Carts



Military



Do not reuse



Non-Sterile



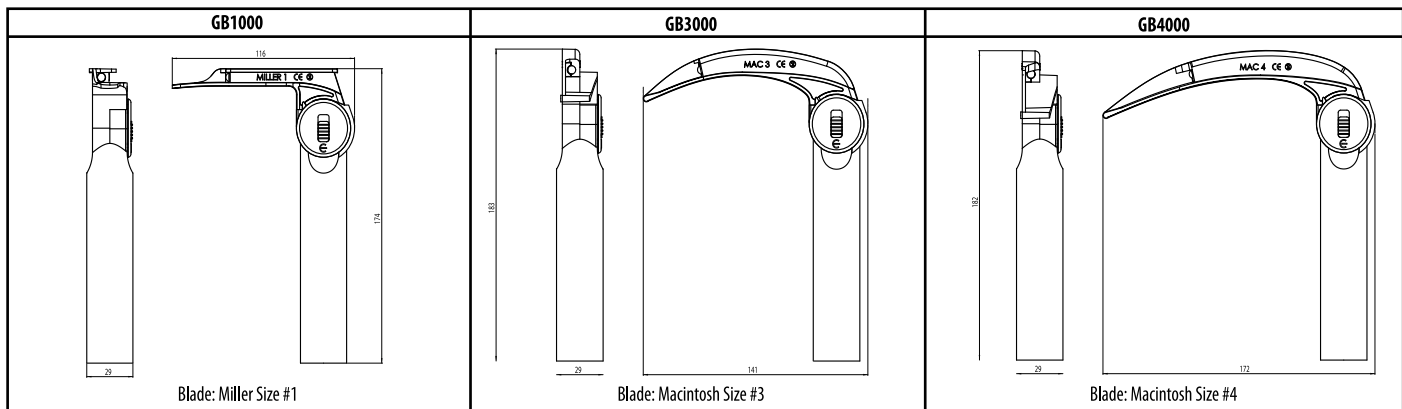
Instruction for Use (IFU)



Medical Device



Not made with natural rubber latex



* Product subject to change without notice

